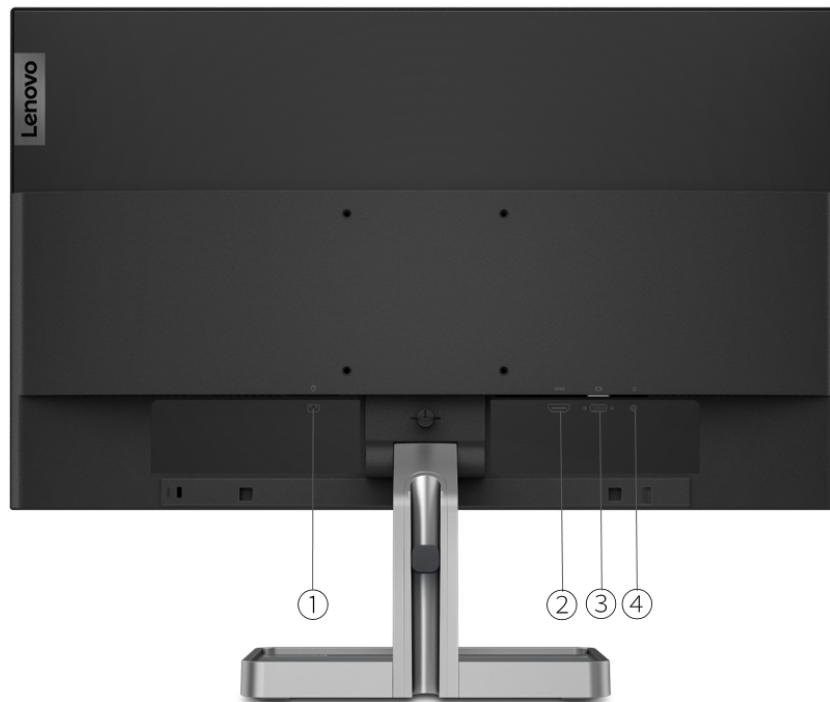


## OVERVIEW



1. Power connector	3. VGA
2. HDMI	4. Audio-out (3.5mm)

## PERFORMANCE

### Panel

#### Panel

3-side NearEdgeless, In-Plane Switching

#### Backlight

WLED

#### Display Size

23.8 inches

#### Max View Area

WxH: 527.04 x 296.46 mm

#### Resolution

1920 x 1080

#### Aspect Ratio

16:9

#### Pixel Pitch

0.2745 x 0.2745 mm

#### Dot / Pixel Per Inch

93 dpi

#### Brightness

250 nits

#### Contrast Ratio

- Contrast Ratio: 1000:1
- Dynamic Contrast Ratio: 3M:1

#### View Angle (H / V)

Horizontal: 178°, Vertical: 178°

#### Response Time

- Extreme Mode: 4 ms
- Normal Mode: 6 ms

#### Refresh Rate

75Hz (HDMI® only)

#### Color Gamut

72% NTSC

#### Color Support

16.7 Million

#### Screen Coating

Anti-glare

### Operating System

#### Operating System

- Windows® 10 Support
- Windows 7 Support

### Power Supply

#### Power Consumption

- Typical / Max: 17.5W / 23.5W
- Sleep / Off mode: <0.5W
- Switch-off Mode: <0.3W
- Internal Power Supply

#### Voltage Required

AC 100 to 240 V (50-60Hz)

### Special Features

**Special Features**

- Lenovo® Artery (Lenovo Display Control Center) Support  
Lenovo Artery can only be used with Windows 10
- AMD FreeSync™  
AMD FreeSync technology only can work with AMD Radeon™ series graphics card.

**DESIGN****Mechanical****ThinkCentre® M Series Support**

ThinkCentre M Series Tiny, ThinkCentre M Series Nano

For supporting Tiny devices, additional Tiny monitor clamp II (PN: 4XHOZ42451) and Tiny VESA mount II (PN: 4XFON03161) are needed (sold separately).

For supporting Nano devices, additional Nano monitor clamp II (PN: 4XHOZ42451) and Nano VESA mount (PN: 4XFOV81630) are needed (sold separately).

**Bezel Width**

Side: 2.5 mm

**Cable Management**

Support

**Case Color**

Raven black

**Dimensions (WxDxH)<sup>[1]</sup>**

Models	Dimensions
Unpacked With Stand	540.4 x 165.0 x 434.5 mm (21.28 x 6.50 x 17.10 inches)
Unpacked Head Only	540.4 x 45.5 x 327.2mm (21.28 x 1.79 x 12.88 inches)

**Packaging Dimensions (WxDxH)**

124 x 624 x 415 mm (4.88 x 24.57 x 16.34 inches)

**Weight<sup>[2]</sup>**

Models	Weight
Monitor With Stand	3.82 kg (8.42 lbs)
Monitor Head Only	3.06 kg (6.75 lbs)

**Packaging Weight**

5.42 kg (11.95 lbs)

**Mounting**

Supports VESA mount 100mm

**Stand**

Supports -5° to +22° tilt

**In the Box**

- Monitor with Stand
- 1x Power cable (1.8m)
- 1x HDMI cable (1.8m)
- Quick Setup Guide

Notes:

[1] The system dimensions may vary depending on configurations.

[2] The system weight is approximate and based on results in Lenovo lab, which varies depending on the source of component, variance of the distribution of each component, and manufacturing process. It may not be the exact weight for each specific model.

**CONNECTIVITY****Ports**

**Rear Ports**

- 1x HDMI 1.4
- 1x VGA
- 1x audio-out (3.5mm)

## SECURITY & PRIVACY

### Security

**Physical Locks**

Kensington® Security Slot™

## SERVICE

### Warranty

**Base Warranty**

- 1-year courier or carry-in service
- 3-year courier or carry-in service

## CERTIFICATIONS

### Green Certifications<sup>[1]</sup>

**Green Certifications**

RoHS compliant

Notes:

[1] The items listed under the "Green Certifications" section may not only refer to certification but also registration or self-declaration.

### Other Certifications

**Other Certifications**

TÜV Rheinland® Eye Comfort Certification

- Lenovo reserves the right to change specifications or other product information without notice. Lenovo is not responsible for photographic or typographical errors. LENOVO PROVIDES THIS PUBLICATION "AS IS," WITHOUT WARRANTY OF ANY KIND, EITHER EXPRESS OR IMPLIED, INCLUDING THE IMPLIED WARRANTIES OF MERCHANTABILITY OR FITNESS FOR A PARTICULAR PURPOSE. Some jurisdictions do not allow disclaimer of express or implied warranties in certain transactions, therefore this disclaimer may not apply to you.
- The specifications on this page may not be available in all regions, and may be changed or updated without notice.

